

PRESSURE MEASUREMENT

FD3051S DP Intelligent Monocrystalline Silicon Differential Pressure Transmitter

Product Overview

FD3051S DP series smart Monocrystalline Silicon differential pressure transmitter is a high-precision, high-stability, multi-parameter pressure measurement product, with HART protocol. The digital technology combined with the international advanced Mono core design and manufacturing technology. The reliable explosion-proof structure design and standardized signal output, high accuracy and wide range, suitable for precision measurement of fluid pressure.



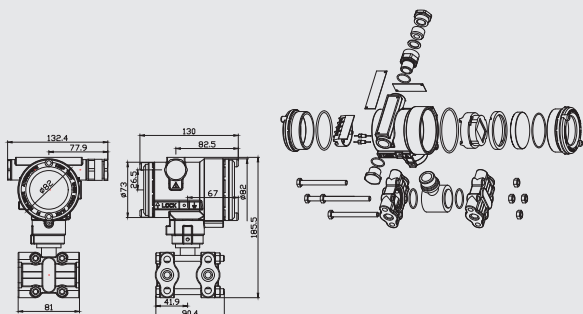
Main Feature

- ◆ Wide measurement range. Measure level, density, pressure/differential pressure and flow in fluids
- ◆ The sensor adopts digital compensation and nonlinear correction
- ◆ Laser marking, exquisite appearance
- ◆ Digital circuit design, on-site adjustment button to zero
- ◆ Adjustable turndown ratio up to 100:1
- ◆ High accuracy 0.075% F.S
- ◆ Meeting GB3836 standard, Obtained Explosion-proof certificate

Performance Index

Item	Technical Parameters
Pressure Range	0-50Pa ~ 3MPa (Specific refer to selection table)
Pressure Type	Differential Pressure
Overload Pressure	Overload 150% measurement range
Working Pressure	Static pressure 16MPa、25MPa、40MPa Optional
Accuracy	0.075%F.S / 0.1%F.S / 0.25%F.S Optional
Long-term Stability	0.1%F.S/Year
Working temperature	-20℃ ~ 80℃
Power Supply	12V ~ 32VDC (Recommend 24VDC)
Output signal	4mA ~ 20mADC / 1V-5VDC / RS485 etc.
Protocol	MODBUS RTU/ HART
Electronic connection	M20*1.5(F)Standard/ can be customized
Protection Grade	IP65
Explosion-proof Grade	Exia II CT6 Ga、 Exd II CT6 Gb、 ExtD A21 IP66 T80℃
Products Warranty	12 Months

Dimensions



Electrical interface and wiring

