

# PRESSURE MEASUREMENT

## FD3051ST Monocrystalline Silicon Pressure Transmitter

### Product Overview

FD3051ST series smart Monocrystalline Silicon pressure transmitter is a high-precision, high-stability, multi-parameter pressure measurement product, with HART protocol. The digital technology combined with the international advanced Mono core design and manufacturing technology. The reliable explosion-proof structure design and standardized signal output, high accuracy and wide range, suitable for precision measurement of fluid pressure.



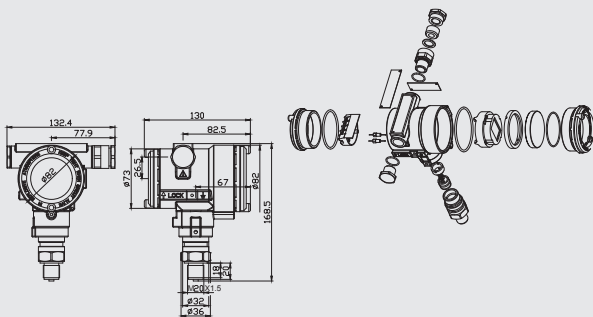
### Main Feature

◆ Wide measurement range. Gauge, Absolute, Negative pressure
◆ The sensor adopts digital compensation and nonlinear correction
◆ IP65 protective design, suitable for wild, open air, etc
◆ Laser marking, exquisite appearance
◆ Digital circuit design, on-site adjustment button to zero
◆ Adjustable turndown ratio up to 100:1
◆ High accuracy 0.075% F.S

### Performance Index

Item	Technical Parameters	Overload limit	
Pressure Range	0-50Pa ~ 40MPa ( See selection table )	6 kPa	0.2MPa
Pressure Type	Gague, Absoulte, Negative Pressure ( Optional )	40 kPa	1MPa
Accuracy	0.075%F.S 0.1%F.S 0.25%F.S Optional	250 kPa	4MPa
Long-term Stability	0.1%F.S/Year	3 MPa	15MPa
Working Temp.	-20℃ ~ 80℃	10 MPa	20MPa
Power Supply	12V ~ 32VDC ( Recommend 24VDC )	20 MPa	50MPa
Output Signal	4mA ~ 20mADC / 1V-5VDC / RS485 Optional	40 MPa	50MPa
Protocal	MODBUS RTU/ HART		
Electronic connection	M20*1.5(F)		
Protection Grade	IP65		
Explosion-Proof level	Exia II CT6 Ga, Exd II CT6 Gb, ExtD A21 IP66 T80℃		
Products Warranty	12 months		

### Dimensions



### Electrical interface and wiring

