

PRESSURE MEASUREMENT

FD3051 Intelligent Direct-Mounted Pressure transmitter

Product Overview

FD3051T series Intelligent direct mount pressure transmitter is a high-precision, high-stability, multi-parameter pressure measurement product, with HART protocol. The reliable explosion-proof structure design and standardized signal output, high accuracy and wide range, suitable for precision measurement of fluid pressure. Performing digital communication with HART375 Communicator, and electromagnetic radiation meets the IEC801 standard.



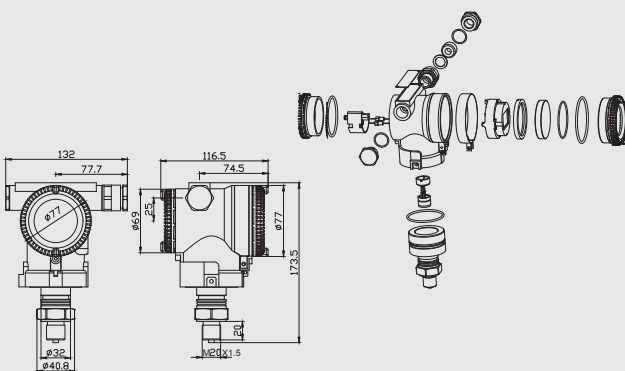
Main Feature

- ◆ Wide measurement range. Gauge, Absolute, Negative pressure
- ◆ The sensor adopts digital compensation and nonlinear correction
- ◆ Laser marking, exquisite appearance
- ◆ Digital circuit design, on-site adjustment button to zero
- ◆ IP65 protection design, suitable for field, open air and other harsh environments
- ◆ Meeting GB3836 standard, Obtained Explosion-proof certificate

Performance Index

Item	Technical Parameters
Pressure Range	0-5kPa ~ 260MPa (Specific refer to selection table)
Pressure Type	Gauge, Absolute, Negative Pressure (Optional)
Overload Pressure	Allow overload 150%, Burst Pressure :200%
Accuracy	0.075%F.S 0.1%F.S 0.25%F.S Optional
Long-term Stability	0.1%F.S/year
Working Temperature	-20℃ ~ 80℃
Power Supply	12V ~ 32VDC (recommend 24VDC)
Output signal	4mA ~ 20mA DC / 1V-5VDC / RS485 Optional
Protocol	MODBUS RTU / HART
Electronic connection	M20*1.5(F) Standard / Other can be customized
Protection	IP65
Explosion-proof Grade	Exia II CT6 Ga, Exd II CT6 Gb, ExtD A21 IP66 T80℃
Products Warranty	12 Months

Dimensions



Electrical interface and wiring method

