

PRESSURE MEASUREMENT

FD80C Intelligent Micro Pressure Transmitter

Product Overview

FD80C intelligent micro-pressure transmitter is a high-precision, high-stability pressure measurement model. The digital technology combined with the international advanced piezoresistive technology, precision digital temperature compensation and nonlinear correction.



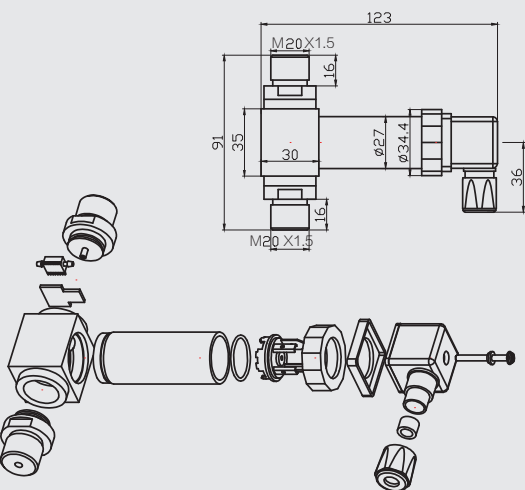
Main Feature

- ◆ Measure clean, dry, non-corrosive gas.
- ◆ IP65 protection design, suitable for open air environment, good dust and moisture resistance.
- ◆ Intelligent circuit board, no moving parts, stable and reliable performance.
- ◆ A variety of shapes and output signal.
- ◆ Laser marking, exquisite appearance.

Performance Index

Item	Technical Data
Pressure Range	0-0.1kPa ~ 10kPa (Specific refer to selection table)
Pressure Type	Gauge , Absolute , Negative Pressure (Optional)
Overload Pressure	Overload Pressure 200%, Burst Pressure 400%
Accuracy	0.5%F.S 1.0%F.S Optional
Long-term Stability	0.5%F.S/Year
Working Temperature	0℃ ~ 60℃
Power supply	12V ~ 28VDC (24VDC)
Output Signal	4mA ~ 20mADC 1V-5VDC RS485 Optional
Protocol	MODBUS RTU / HART
Electronic connection	M20*1.5(F)Standard, GDM Connector, Gland cable
Protection Grade	IP65
Products Warranty	12 months

Dimensions



Electrical interface and wiring

