

PRESSURE MEASUREMENT

FD80W Intelligent Pressure Controller

Product Overview

FD80W series intelligent pressure controller is a high-precision, high-stability, multi-parameters pressure measurement product. The digital technology which is the latest application results in the field of sensor manufacturing. LED 4-bits display, and multiple parameters such as range adjustment, control points, and control range can be changed on site.



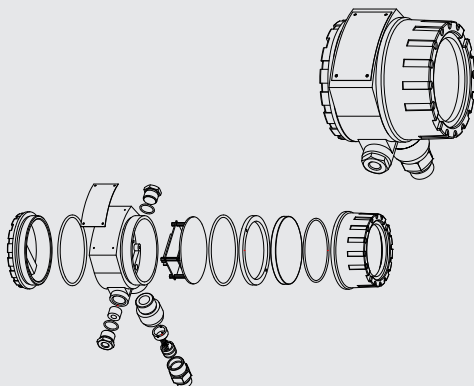
Main Feature

◆ Wide measurement range. Gauge, Absolute, Negative pressure
◆ Laser marking, exquisite appearance
◆ The sensor adopts digital compensation and nonlinear correction
◆ Meet GB3836 standard, with Explosion-proof certificate
◆ IP65 protective design, suitable for wild, open air, etc
◆ Digital circuit design, on-site adjustment button to zero

Performance Index

Item	Technical Data
Pressure Range	0-5kPa ~ 100MPa (Specific refer to selection table)
Pressure Type	Gauge pressure, Absolute pressure, Negative pressure (Optional)
Overload Pressure	Allow overload 150% measurement range (≥ 60MPa 120%) Burst Pressure :200% measurement range (≥ 60MPa 150%)
Accuracy	0.25%F.S / 0.5%F.S Optional
Long-term stability	0.2%F.S /year
Working temperature	-20℃ ~ 70℃
Power Supply	16V ~ 28VDC (24VDC) / 220VAC
Output Signal	4mA ~ 20mADC / Relay output 1V-5VDC / RS485 Optional
Protocal	MODBUS RTU
Electronic Connection	M20*1.5(F)Standard / Other can be customized
Protection Grade	IP65
Explosion-proof grade	Exia II CT4 Ga、 Exd II CT6 Gb、 ExtD A21 IP66 T80℃
Products Warranty	12 months

Dimensions



Electrical interface and wiring method

